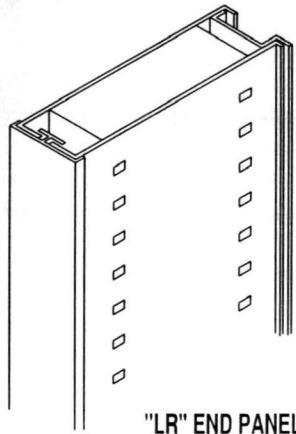
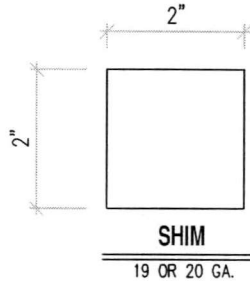


PART DESCRIPTION - TYPE LR, RS & LF UNITS

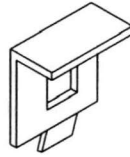


"LR" END PANEL
-REVERSIBLE-



SHIM

19 OR 20 GA.

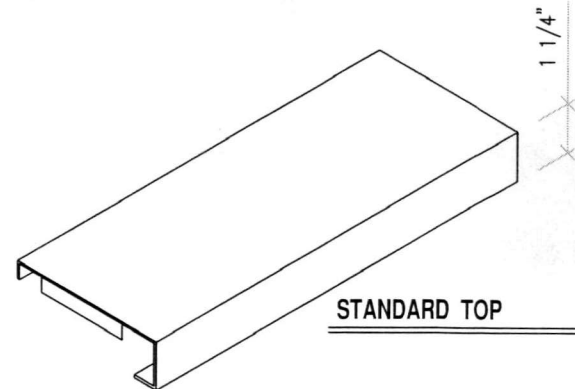


SHELF CLIP

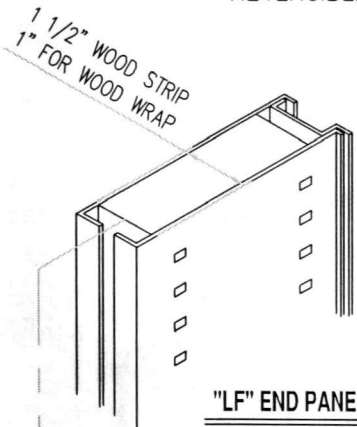


TOGGLE BOLT

3/16 X 3" LONG



STANDARD TOP



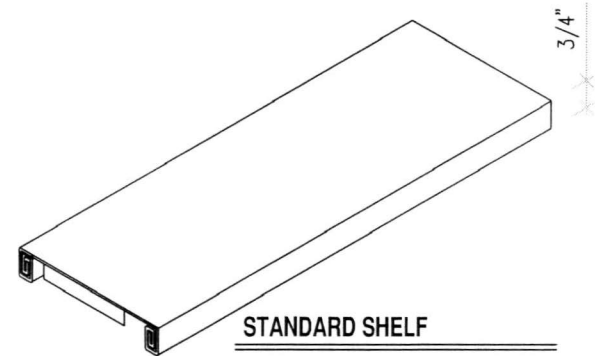
"LF" END PANEL
-REVERSIBLE-



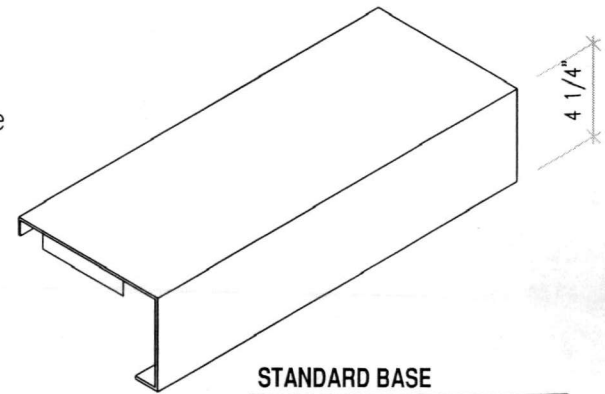
WOOD PANEL FACIA
("SNAPPED" ONTO FACE
OF PANEL AFTER UNITS
HAVE BEEN INSTALLED)

GENERAL NOTES:

1. Reversible Panels are fabricated in heights of 1/4" increments. i.e. 84 1/4", 90 1/4", 101 1/4". Reversible Panels utilized shelf clips to support the unit's top and base. None-reversible Panels (any height other than those at 1/4" increments) are fabricated with offset strips at the top and bottom of the panel. Non-reversible Panels are fabricated as left hand and right hand.
2. The standard base height is 4 1/4". However, almost any custom height required can be fabricated for a unit.
3. End Panels are slotted only on one side. Intermediate Panels (interior panels are slotted on both sides).



STANDARD SHELF



STANDARD BASE



Adjustable

A division of
Karp Associates, Inc.

54-54 43rd Street
Maspeth, NY 11378

(718) 784-2105 Fax: (718) 784-9169

INSTALLATION AND ASSEMBLY INSTRUCTIONS - TYPE LR - LF

REQUIRED MANPOWER

Two (2) people minimum

REQUIRED TOOLS

Electric Drill with No. 30 bit

Level (for both horizontal and vertical) – 24 in.

Plumb bob

Sheetmetal shears

Straight blade and No. 2 Phillips Point screwdrivers

Blind rivet tool (pop-rivet)

Chalk line

Line level

Small step ladder

1/4 masonry drill bit (if unit are being installed against a cement wall or units require anchoring to the floor)

OPTIONAL TOOLS

Hammer drive tool with required pins (if units required anchoring to the floor)

Level – 48"

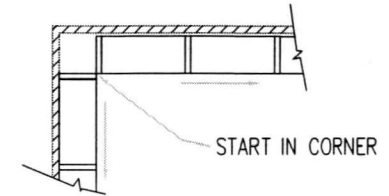
Electric screw gun w/No. 2 Phillips and Straight bits

INSTALLATION TIPS

1. Check the actual measurements between walls and compare against the installation drawing / layouts. Many times the actual "finished" dimensions will vary somewhat from the "design" dimensions.

If, for example, you are installing a 14'-8" run of wall to wall shelving units and the actual field dimensions between the walls you are installing measures 14'-9 1/2", split the difference by beginning the run 3/4" off which ever wall you are starting.

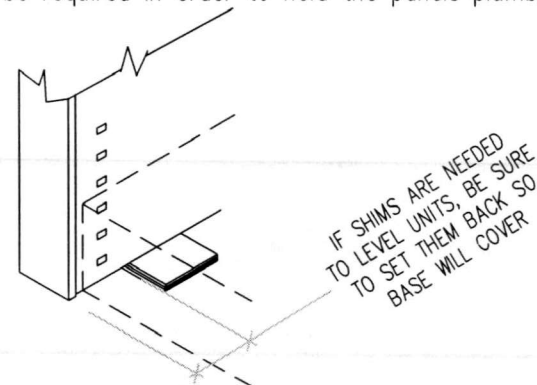
2. If you are installing two (2) runs of shelving that come together in a "box" corner, begin the installation in the corner and work out.



3. Check the levelness of the floor – shimming of the panels may be necessary. If the floor is out of level, begin the installation at the high spot in the floor and shim the other units up as required.
4. Check to see if the wall are plumb all along the area in which you will be installing the units. sometimes a wall will start out plumb and "run out" of plumb as you move along the wall.

Once the panel is level & plumb, it should be attached to the wall using the appropriate method (toggle bolts for sheetrock)

If this is the case, some type of "blocking" (not supplied) behind the units may be required in order to hold the panels plumb.




Adjustable

A division of
Karp Associates, Inc.

54-54 43rd Street
Maspeth, NY 11378

(718) 784-2105 Fax: (718) 784-9169

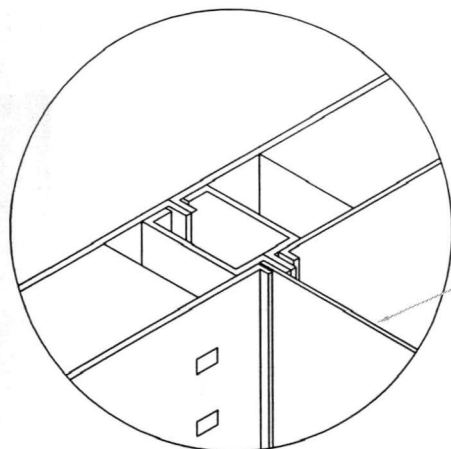
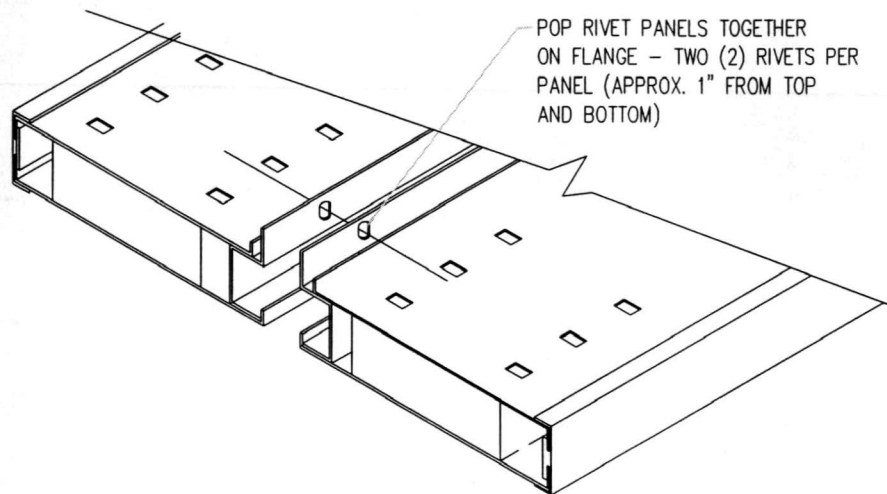


FIG. # 5

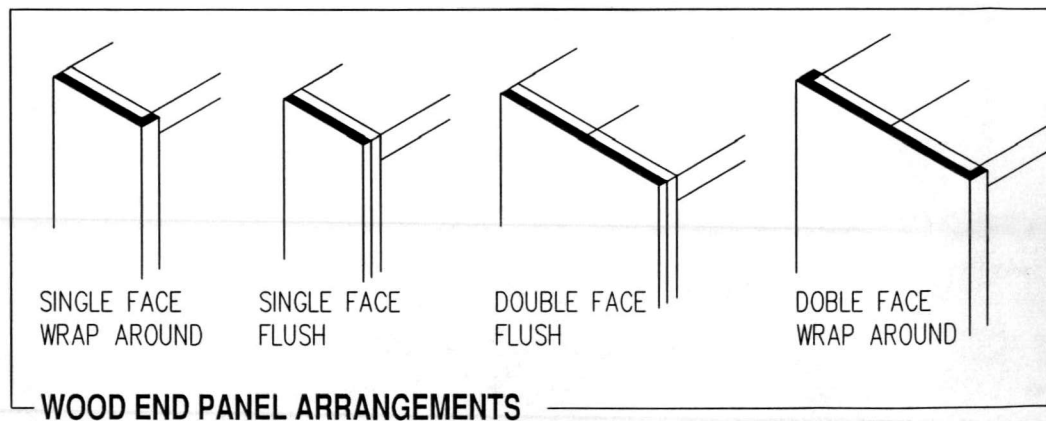
- STEP 1. Determine the amount of end panels and interior panels required to complete double faced (back to back) shelving run. Panels without offset strips are reversible - panels with offset strips at the top and bottom are not reversible.
- STEP 2. Place panels on a flat surface align and square. Pre-drill and pop-rivet all panels back to back thru rear flange as shown Figure No. 4.
- STEP 3. Erect panels and level to begin run.
- STEP 4. Insert back panels into flange of either panel as shown in Figure No. 5. Double faced or back to back units share a common back panel. Notching is not necessary as the back will over the pop-rivets.
- STEP 5. Follow steps 4 thru 7 on page (3) of instructions.
- STEP 6. After the entire run has been erected, stabilize the assembly by pop-riveting through the back panel and panel flange - every panel.

Adjustable

*A division of
Karp Associates, Inc.*

54-54 43rd Street
Maspeth, NY 11378

(718) 784-2105 Fax: (718) 784-9169



WOOD END PANEL ARRANGEMENTS